

# EHS Mono

SPECIFICATIONS  
AE050JXYDEH/EU



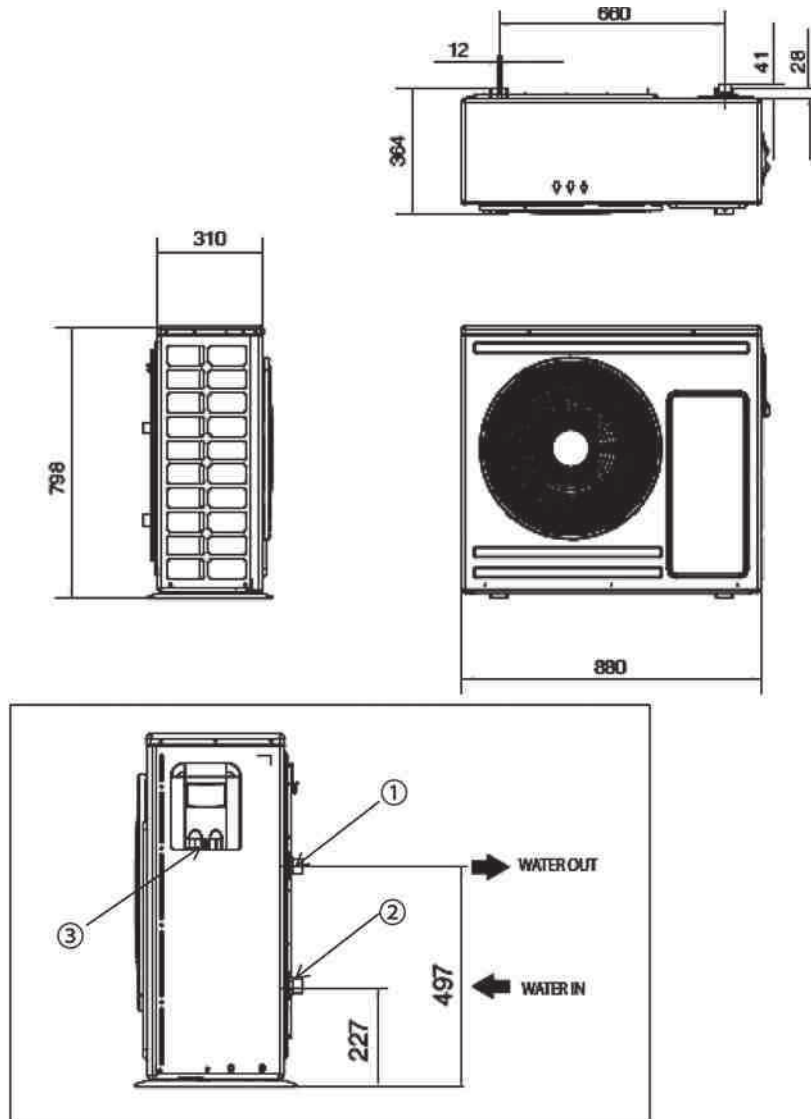
Model Code		AE050JXYDEH/EU
Features	Type	Mono
Model Name	Outdoor Unit	AE050JXYDEH/EU
Power Supply (Outdoor Unit) [Φ, #, V, Hz]		1.2.220-240.50
System	Mode	HEAT PUMP (A2W)
Capacity	Cooling [kW]	5.0kW
	Cooling [Btu/h]	17,100 Btu/h
	Heating [kW]	5.0kW
	Heating [Btu/h]	17,100 Btu/h
Power Input (Nominal)	Cooling	1.21kW
	Heating	1.06kW
Current Input (Nominal)	Cooling	5.7 A
	Heating	5.1 A
Energy Efficiency	EER (Nominal Cooling)	4.13
	COP (Nominal Heating)	4.72
	Energy Grade of Space Heater (55 °C / 35 °C)	A++ / A++
	Energy Grade of Package of Space Heater	A++
Compressor	Type	BLDC Twin Rotary
Fan	Type	Propeller
Refrigerant	Type	R410A (Fluorinated greenhouse gas)
	Factory Charging (kg)	1.15 kg
Sound	Sound Pressure (High / Mid / Low) [dB(A)]	45 dBA
	Sound Power (Cooling) [dB(A)]	61 dBA
	Net Weight (kg)	59.0 kg
External Dimension (Outdoor Unit)	Net Dimensions (WxHxD) (mm)	880 x 798 x 310mm
	Cooling (°C)	10 ~ 46 °C
Operating Temp. Range	Heating (°C)	-25 ~ 35 °C

# EHS Mono

DIMENSIONAL DRAWINGS  
AE050JXYDEH/EU



Units: mm



No.	Name
1	Water pipe (out)
2	Water pipe (in)
3	Power and communication wiring conduits

# EHS Mono

## SPECIFICATIONS

AE090JXYDEH/EU, AE090JXYDGH/EU



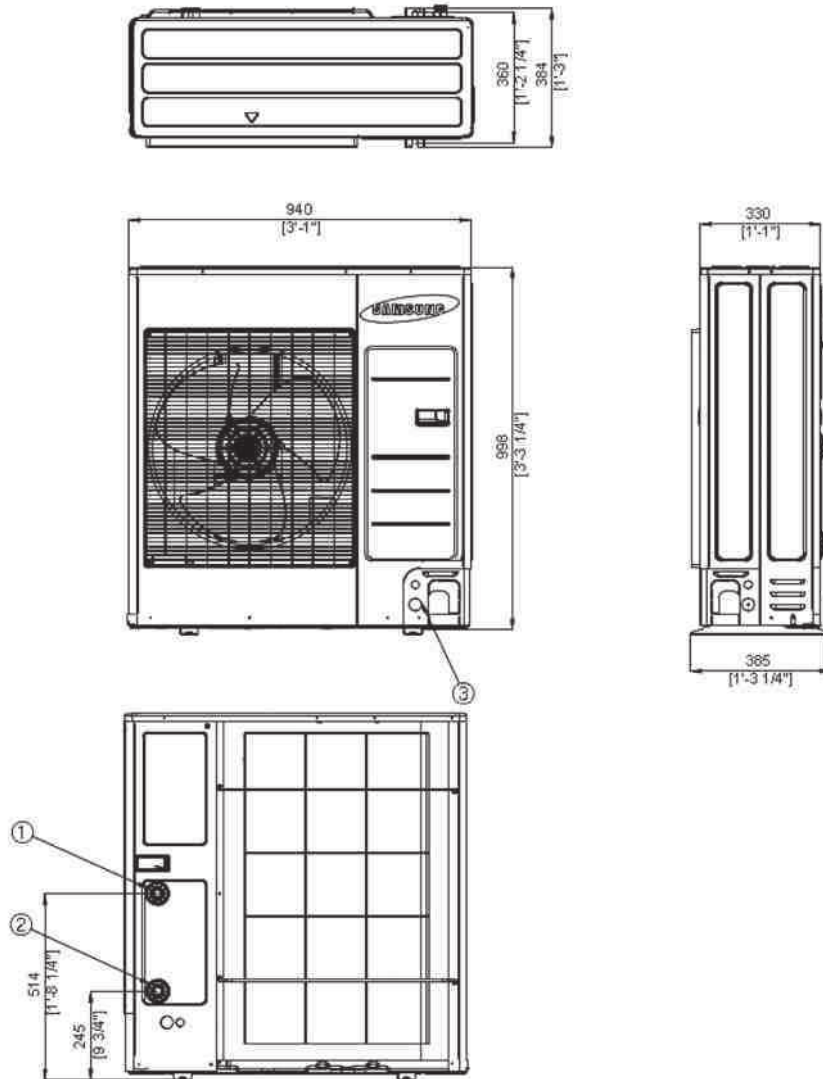
Model Code		AE090JXYDEH/EU	AE090JXYDGH/EU
Features	Type	Mono	Mono
Model Name	Outdoor Unit	AE090JXYDEH	AE090JXYDGH
Power Supply (Outdoor Unit) [Φ, #, V, Hz]		1.2,220-240,50	3,4,380-415,50
System	Mode	HEAT PUMP (A2W)	HEAT PUMP (A2W)
Capacity	Cooling [kW]	7.5kW	7.0kW
	Cooling [Btu/h]	25,600 Btu/h	23,900 Btu/h
	Heating [kW]	9.0kW	9.0kW
	Heating [Btu/h]	30,700 Btu/h	30,700 Btu/h
Power Input (Nominal)	Cooling [W]	1.95kW	1.92kW
	Heating [W]	2.14kW	2.14kW
Current Input (Nominal)	Cooling	9.0 A	3.2 A
	Heating	9.2 A	3.5 A
Power	MCA [A]	22.0 A	10.0 A
	MFA [A]	27.5 A	16.1 A
Energy Efficiency	EER (Nominal Cooling)	3.85	3.65
	COP (Nominal Heating)	4.21	4.21
	Energy Grade of Space Heater (55 °C / 35 °C)	A++ / A++	A++ / A++
	Energy Grade of Package of Space Heater	A++	A++
Compressor	Type	BLDC Twin Rotary	BLDC Twin Rotary
	Model	UG8TH8265FJW	UG8T300FUCJU
	Oil (Type)	POE	PVE
Fan	Type	Propeller	Propeller
	Air Flow Rate (High / Mid / Low) [CMM]	53 CMM	53 CMM
Condenser	Pipe Size (Φ, inch)	BSPP male 1"	BSPP male 1"
	Water Flow Rate (LPM)	26 / 22 (Heating / Cooling) LPM	26 / 21 (Heating / Cooling) LPM
Field Wiring	Transmission Cable	0.75 ~ 1.5	0.75 ~ 1.5
Refrigerant	Type	R410A (Fluorinated greenhouse gas)	R410A (Fluorinated greenhouse gas)
	Factory Charging (kg)	1.4 kg	1.5 kg
Sound	Sound Pressure	48 / 48(Heating / Cooling) dBA	48 / 48 (Heating / Cooling) dBA
	Sound Power	63 (Heating) dBA	63 (Heating) dBA
	Net Weight (kg)	76 kg	76 kg
External Dimension (Outdoor Unit)	Shipping Weight (kg)	84 kg	84 kg
	Net Dimensions (WxHxD) (mm)	940 x 998 x 330mm	940 x 998 x 330mm
	Shipping Dimensions (WxHxD) (mm)	995 x 1,178 x 426mm	995 x 1,178 x 426mm
	Cooling (°C)	10 ~ 46 °C	10 ~ 46 °C
Operating Temp. Range	Heating (°C)	-25 ~ 35 °C	-25 ~ 35 °C

# EHS Mono

DIMENSIONAL DRAWINGS  
AE090JXYDEH/EU, AE090JXYDGH/EU



Units: mm



No.	Name
1	Water pipe (out)
2	Water pipe (in)
3	Power and communication wiring conduits

# EHS Split

## SPECIFICATIONS

AE090JXEDEH/EU, AE090JXEDGH/EU



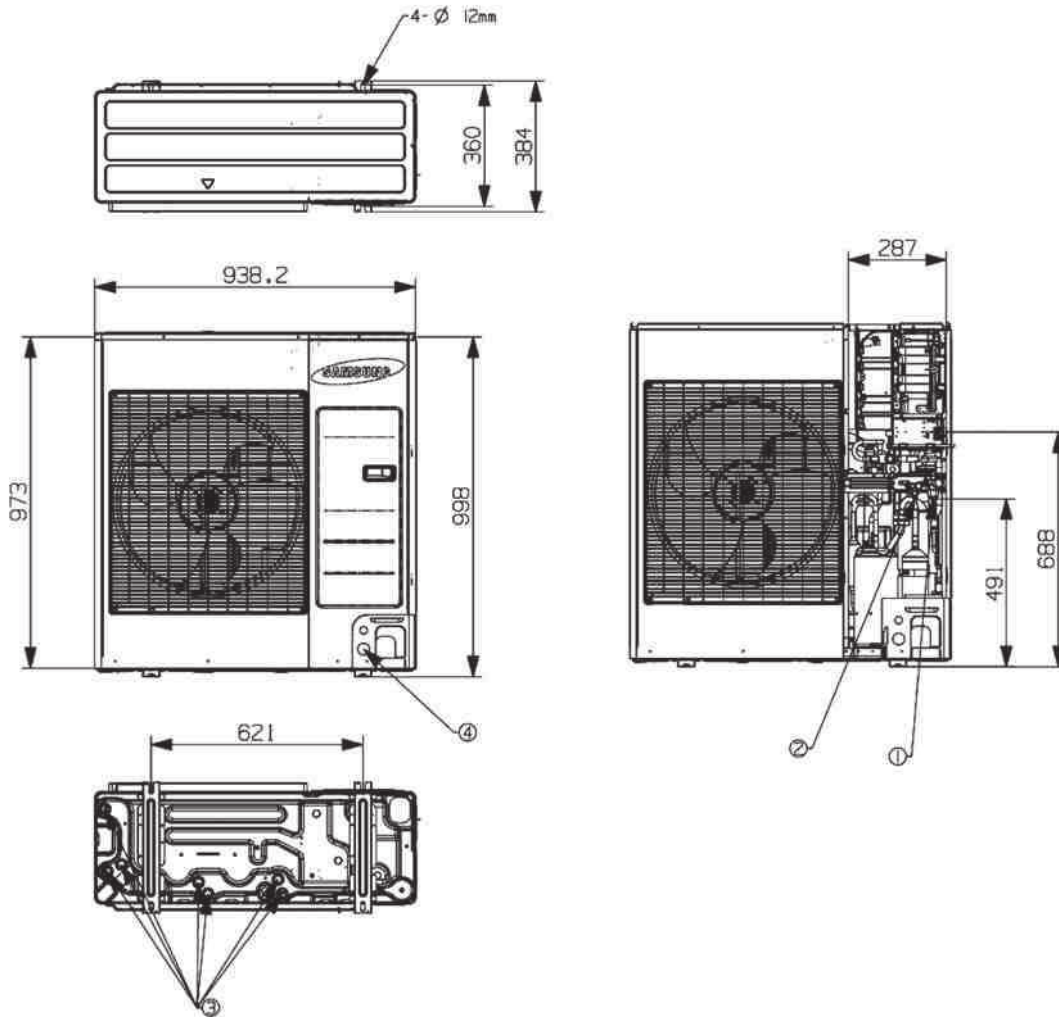
Model Code		AE090JXEDEH/EU	AE090JXEDGH/EU
Features	Type	EHS Split	EHS Split
Model Name	Indoor Unit	AE090JNYDEH/EU	AE090JNYDGH/EU
	Outdoor Unit	AE090JXEDEH/EU	AE090JXEDGH/EU
Power Supply (Indoor Unit) [Φ, #, V, Hz]		1.3,220~240,50	3.4,380~415,50
Power Supply (Outdoor Unit) [Φ, #, V, Hz]		1.3,220~240,50	3.4,380~415,50
System	Mode	HEAT PUMP (A2W)	HEAT PUMP (A2W)
Capacity	Cooling [kW]	8.0 kW	7.5 kW
	Cooling [Btu/h]	27,300 Btu/h	25,600 Btu/h
	Heating [kW]	9.0 kW	9.0 kW
	Heating [Btu/h]	30,700 Btu/h	30,700 Btu/h
Power Input (Nominal)	Cooling	2.2 kW	2.06 kW
	Heating	2.01 kW	2.01 kW
Current Input (Nominal)	Cooling	10.1 A	3.4 A
	Heating	9.2 A	3.3 A
Power	MCA [A]	22 A	10 A
	MFA [A]	27.5 A	16.1 A
Energy Efficiency	EER (Nominal Cooling)	3.64	3.64
	COP (Nominal Heating)	4.48	4.48
	Energy Grade of Space Heater (55 °C / 35 °C)	A++ / A++	A++ / A++
	Energy Grade of Package of Space Heater	A++	A++
Compressor	Type	BLDC Twin Rotary	BLDC Twin Rotary
	Oil (Type)	POE	PVE
Fan	Air Flow Rate (Cooling) [CMM]	53 CMM	53 CMM
Piping Connections	Liquid Pipe (Φ,mm)	6.35 mm	6.35 mm
	Liquid Pipe (Φ, inch)	1/4"	1/4"
	Gas Pipe (Φ,mm)	15.88 mm	15.88 mm
	Gas Pipe (Φ, inch)	5/8"	5/8"
	Installation Max. Length [m]	50 m	50 m
	Installation Max. Height [m]	30 m	30 m
Refrigerant	Type	R410A (Fluorinated greenhouse gas)	R410A (Fluorinated greenhouse gas)
	Factory Charging (kg)	1.7 kg	1.9 kg
Sound	Sound Pressure	50 / 49 dBA	50 / 49 dBA
	Sound Power	63 / 64 dBA	63 / 64 dBA
External Dimension (Indoor Unit)	Net Weight (kg)	45 kg	46.5 kg
	Shipping Weight (kg)	55 kg	56.0 kg
	Net Dimensions (WxHxD) (mm)	510 x 850 x 315 mm	510 x 850 x 315 mm
	Shipping Dimensions (WxHxD) (mm)	564 x 1,024 x 412 mm	564 x 1,024 x 412 mm
External Dimension (Outdoor Unit)	Net Weight (kg)	68.0 kg	76.0 kg
	Shipping Weight (kg)	78.0 kg	84.5 kg
	Net Dimensions (WxHxD) (mm)	940 x 998 x 330 mm	940 x 998 x 330 mm
	Shipping Dimensions (WxHxD) (mm)	995 x 1,178 x 426 mm	995 x 1,178 x 426 mm
Operating Temp. Range	Cooling (°C)	10~46 °C	10~46 °C
	Heating (°C)	-25~35 °C	-25~35 °C

# EHS Split

DIMENSIONAL DRAWINGS  
AE090JXYDEH/EU, AE090JXYDGH/EU



Units: mm



No.	Name
1	Gas ref. pipe
2	Liquid ref. pipe
3	Drain hole
4	Power and communication wiring conduits

# EHS Split Outdoor

## SPECIFICATIONS

AE120/140/160JXEDEH/EU, AE120/140/160JXEDGH/EU



Model Code		AE120JXEDEH/EU	AE140JXEDEH/EU	AE160JXEDEH/EU	AE120JXEDGH/EU	AE140JXEDGH/EU	AE160JXEDGH/EU
Features	Type	EHS Split					
Model Name	Indoor Unit	AE160JNYDEH/EU	AE160JNYDEH/EU	AE160JNYDEH/EU	AE160JNYDGH/EU	AE160JNYDGH/EU	AE160JNYDGH/EU
	Outdoor Unit	AE120JXEDEH/EU	AE140JXEDEH/EU	AE160JXEDEH/EU	AE120JXEDGH/EU	AE140JXEDGH/EU	AE160JXEDGH/EU
Power Supply (Indoor Unit) [Φ, #, V, Hz]		1.3,220-240,50	1.3,220-240,50	1.3,220-240,50	3.4,380-415,50	3.4,380-415,50	3.4,380-415,50
Power Supply (Outdoor Unit) [Φ, #, V, Hz]		1.3,220-240,50	1.3,220-240,50	1.3,220-240,50	3.4,380-415,50	3.4,380-415,50	3.4,380-415,50
System	Mode	HEAT PUMP (A2W)					
Capacity	Cooling [kW]	12.0 kW	14.0 kW	15.0 kW	12.0 kW	14.0 kW	15.0 kW
	Cooling [Btu/h]	40,900 Btu/h	47,800 Btu/h	51,200 Btu/h	40,900 Btu/h	47,800 Btu/h	51,200 Btu/h
	Heating [kW]	12.0 kW	14.0 kW	16.0 kW	12.0 kW	14.0 kW	16.0 kW
	Heating [Btu/h]	40,900 Btu/h	47,800 Btu/h	54,600 Btu/h	40,900 Btu/h	47,800 Btu/h	54,600 Btu/h
Power Input (Nominal)	Cooling	3.1 kW	3.8 kW	4.14 kW	3.1 kW	3.8 kW	4.14 kW
	Heating	2.59 kW	3.15 kW	3.76 kW	2.59 kW	3.15 kW	3.76 kW
Current Input (Nominal)	Cooling	14.0 A	17.0 A	18.6 A	4.7 A	5.7 A	6.2 A
	Heating	11.7 A	14.3 A	16.9 A	4.1 A	4.7 A	5.7 A
Power	MCA [A]	28 A	30 A	32 A	10A	11A	12A
	MFA [A]	35 A	37.5 A	40 A	16.1 A	16.1 A	16.1 A
	EER (Nominal Cooling)	3.87	3.68	3.62	3.87	3.68	3.62
Energy Efficiency	COP (Nominal Heating)	4.63	4.44	4.26	4.63	4.44	4.26
	Energy Grade of Space Heater (55 °C / 35 °C)	A+ / A++	A+ / A++	A+ / A++	A+ / A++	A+ / A++	A+ / A++
	Energy Grade of Package of Space Heater	A+	A+	A+	A+	A+	A+
Compressor	Type	BLDC Twin Rotary					
	Oil (Type)	PVE					
Fan	Air Flow Rate (High / Mid / Low) [CMM]	108 CMM					
Piping Connections	Liquid Pipe (Φ, mm)	9.52 mm					
	Liquid Pipe (Φ, inch)	3/8"					
	Gas Pipe (Φ, mm)	15.88 mm					
	Gas Pipe (Φ, inch)	5/8"					
	Installation Max. Length [m]	50 m					
Refrigerant	Type	R410A (Fluorinated greenhouse gas)					
	Factory Charging (kg)	2.98 kg					
	Sound	Sound Pressure	50 / 50 dBA	52 / 50 dBA	54 / 52 dBA	50 / 50 dBA	52 / 50 dBA
External Dimension (Indoor Unit)	Sound Power	64 / 64 dBA	66 / 64 dBA	69 / 66 dBA	64 / 64 dBA	66 / 64 dBA	69 / 66 dBA
	Net Weight (kg)	45 kg	45 kg	45.0 kg	46.5 kg	46.5 kg	46.5 kg
	Shipping Weight (kg)	55 kg	55 kg	55.0 kg	56.0 kg	56.0 kg	56.0 kg
External Dimension (Outdoor Unit)	Net Dimensions (WxHxD) (mm)	510 x 850 x 315 mm	510 x 850 x 315 mm	510 x 850 x 315 mm	510 x 850 x 315 mm	510 x 850 x 315 mm	510 x 850 x 315 mm
	Shipping Dimensions (WxHxD) (mm)	564 x 1,024 x 412 mm	564 x 1,024 x 412 mm	564 x 1,024 x 412 mm	564 x 1,024 x 412 mm	564 x 1,024 x 412 mm	564 x 1,024 x 412 mm
	Net Weight (kg)	100.0 kg	100.0 kg	100.0 kg	101.5 kg	101.5 kg	101.5 kg
	Shipping Weight (kg)	109.5 kg	109.5 kg	109.5 kg	111.0 kg	111.0 kg	111.0 kg
Operating Temp. Range	Net Dimensions (WxHxD) (mm)	940 x 1,420 x 330 mm	940 x 1,420 x 330 mm	940 x 1,420 x 330 mm	940 x 1,420 x 330 mm	940 x 1,420 x 330 mm	940 x 1,420 x 330 mm
	Shipping Dimensions (WxHxD) (mm)	995 x 1,598 x 426 mm	995 x 1,598 x 426 mm	995 x 1,598 x 426 mm	995 x 1,598 x 426 mm	995 x 1,598 x 426 mm	995 x 1,598 x 426 mm
Operating Temp. Range	Cooling (°C)	10 ~ 46 °C					
	Heating (°C)	-25 ~ 35 °C					

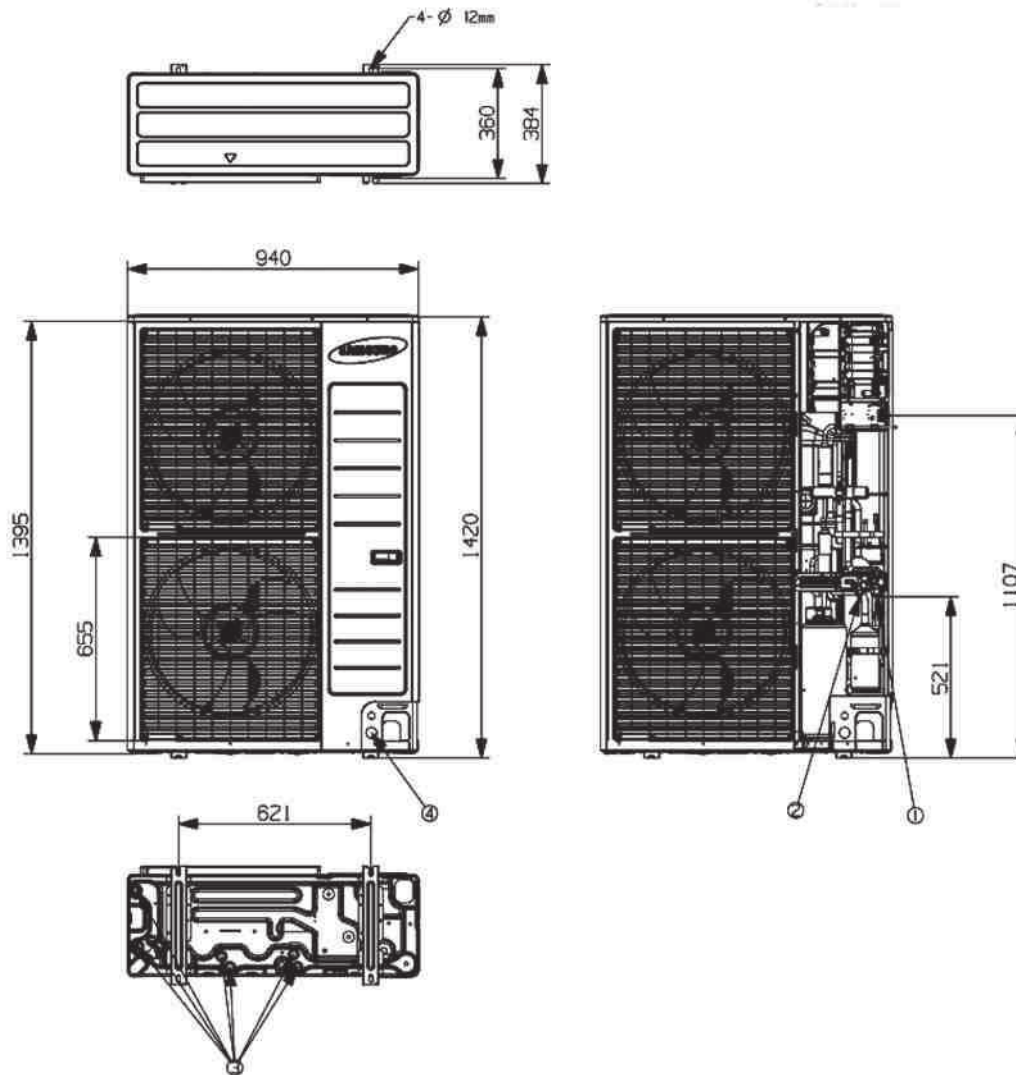
# EHS Split Outdoor

DIMENSIONAL DRAWINGS

AE120/140/160JXEDEH/EU, AE120/140/160JXEDGH/EU



Units: mm



No.	Name
1	Gas ref. pipe
2	Liquid ref. pipe
3	Drain hole
4	Power and communication wiring conduits



# EHS Split Outdoor

## SPECIFICATIONS

AE040JXEDEH/EU, AE060JXEDGH/EU



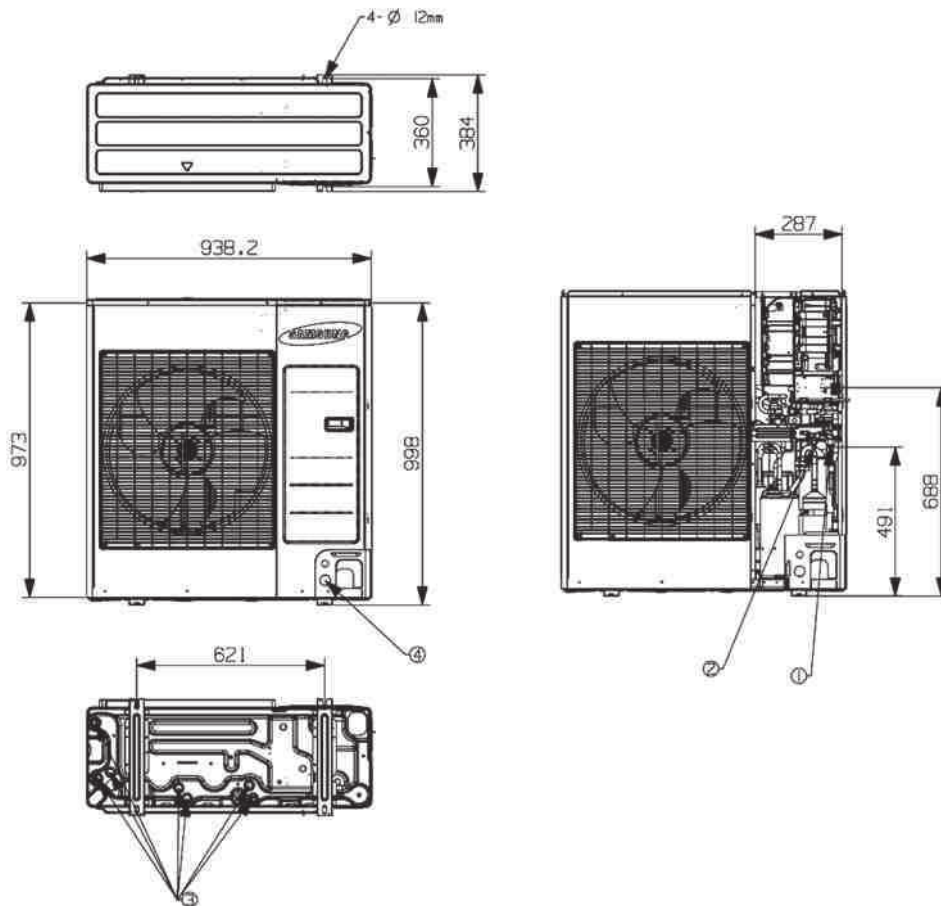
Model Code		AE040JXEDEH/EU	AE060JXEDGH/EU
Features	Type	EHS Split	EHS Split
Model Name	Indoor Unit	AE090JNYDEH/EU	AE090JNYDGH/EU
	Outdoor Unit	AE040JXEDEH/EU	AE090JXEDGH/EU
Power Supply (Indoor Unit) [Φ, #, V, Hz]		1.3,220~240,50	3.4,380~415,50
Power Supply (Outdoor Unit) [Φ, #, V, Hz]		1.3,220~240,50	3.4,380~415,50
System	Mode	HEAT PUMP (A2W)	HEAT PUMP (A2W)
Capacity	Cooling [kW]	5.0kW	7.5kW
	Cooling [Btu/h]	17,100 Btu/h	25,600 Btu/h
	Heating [kW]	4.4kW	9.0kW
	Heating [Btu/h]	15,000 Btu/h	30,700 Btu/h
Power Input (Nominal)	Cooling [W]	1.26kW	2.06kW
	Heating [W]	0.86kW	2.01kW
Current Input (Nominal)	Cooling	5.7 A	3.4 A
	Heating	4.1 A	3.3 A
Power	MCA [A]	20 A	10.00 AM
	MFA [A]	25 A	16.1 A
Energy Efficiency	EER (Nominal Cooling)	3.97	3.64
	COP (Nominal Heating)	5.1	4.48
	Energy Grade of Space Heater (55 °C / 35 °C)	A++ / A++	A++ / A++
	Energy Grade of Package of Space Heater	A++	A++
Compressor	Type	BLDC Twin Rotary	BLDC Twin Rotary
	Model	UG4TH8200FE4	PVE
	Oil (Type)	POE	
	Oil (Initial Charge) [cc]	650 cc	
Fan	Air Flow Rate (Cooling) [CMM]	40 CMM	53 CMM
Piping Connections	Liquid Pipe (Φ,mm)	6.35mm	6.35mm
	Liquid Pipe (Φ, inch)	1/4"	1/4"
	Gas Pipe (Φ,mm)	15.88mm	15.88mm
	Gas Pipe (Φ, inch)	5/8"	5/8"
	Installation Max. Length [m]	30 m	50 m
	Installation Max. Height [m]	20 m	30 m
Refrigerant	Type	R410A (Fluorinated greenhouse gas)	R410A (Fluorinated greenhouse gas)
	Factory Charging (kg)	1.4 kg	1.9 kg
Sound	Sound Pressure	46 / 46 dBA	50 / 49 dBA
	Sound Power	63 / 61 dBA	63 / 64 dBA
External Dimension (Indoor Unit)	Net Weight (kg)	45 kg	46.5 kg
	Shipping Weight (kg)	55 kg	56.0 kg
	Net Dimensions (WxHxD) (mm)	510 x 850 x 315mm	510 x 850 x 315mm
	Shipping Dimensions (WxHxD) (mm)	564 x 1,024 x 412mm	564 x 1,024 x 412mm
External Dimension (Outdoor Unit)	Net Weight (kg)	48.5 kg	76.0 kg
	Shipping Weight (kg)	51.5 kg	84.5 kg
	Net Dimensions (WxHxD) (mm)	880 x 638 x 310mm	940 x 998 x 330mm
	Shipping Dimensions (WxHxD) (mm)	1,023 x 725 x 413mm	995 x 1,178 x 426mm
Operating Temp. Range	Cooling (°C)	10~46 °C	10~46 °C
	Heating (°C)	-25~35 °C	-25~35 °C

# EHS Split Outdoor

DIMENSIONAL DRAWINGS  
AE040JXEDEH/EU, AE060JXEDGH/EU



Units: mm



No.	Name
1	Gas ref. pipe
2	Liquid ref. pipe
3	Drain hole
4	Power and communication wiring conduits